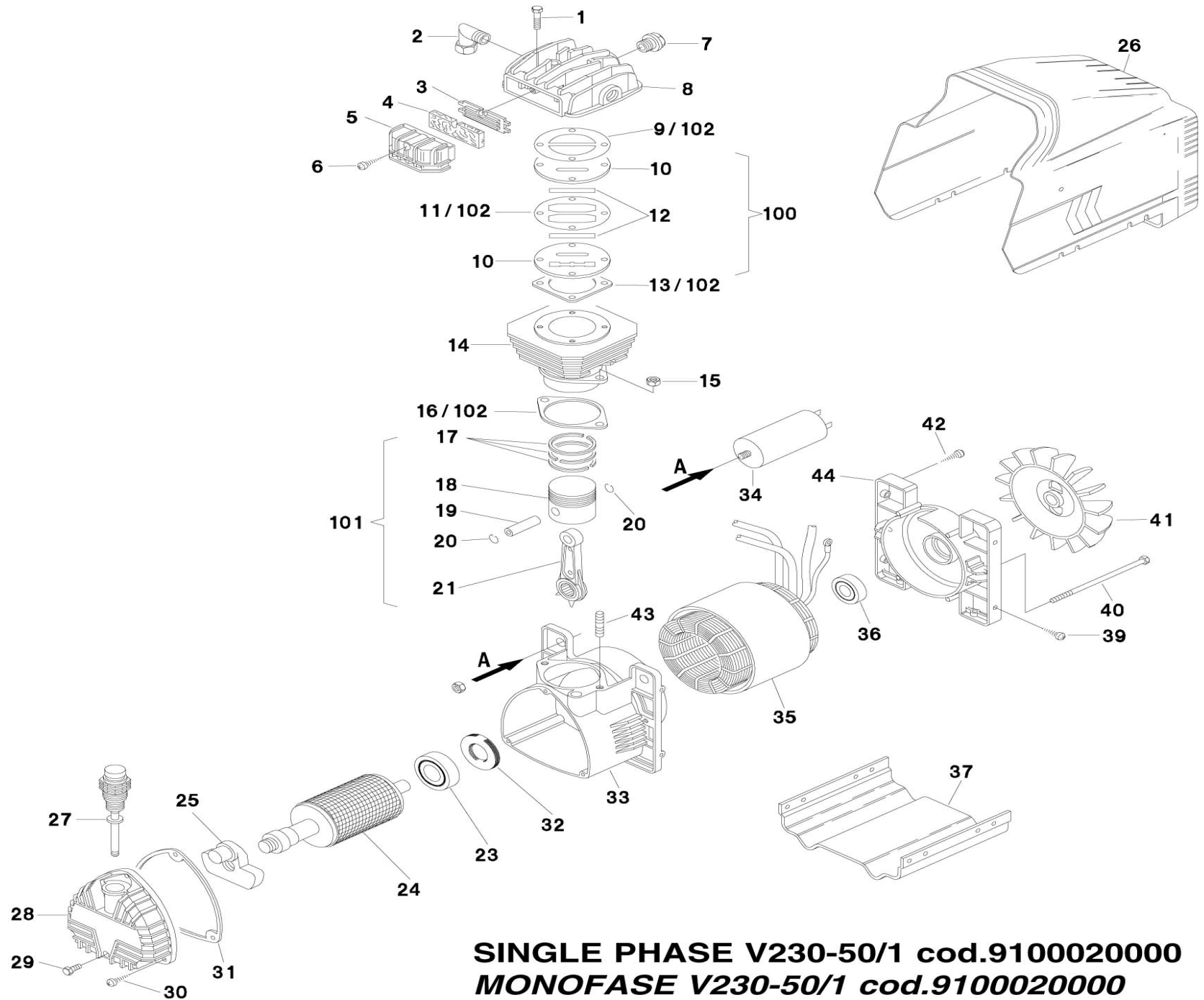




# GM 193



**SINGLE PHASE V230-50/1 cod.9100020000**  
**MONOFASE V230-50/1 cod.9100020000**

**GM 193**

validity date - from 06/11/2006

Ref.	Code	Description	Quantity
1	7011220000	Screw	4
2	9100010120	Joint	1
3	7458340000	Filter plate	1
4	9100010210	Filtering element	2
5	7210430000	Filter cover	1
6	7012100000	Screw	1
7	9100010190	START valve	1
8	9100010260	Head	1
9	9100010310	Gasket	1
10	9100010240	Plate	2
11	9100010080	Gasket	1
12	9100010370	Valve	2
13	9100020140	Gasket	1
14	9100020030	Cylinder	1
15	7020070000	Nut	2
16	9100020160	Gasket	1
17	4080030000	Piston rings kit	1
18	9100020120	Piston	1
19	9100020080	Piston pin	1
20	9100010380	Rubber	2
21	9100020070	Connecting rod	1
23	7060060000	Bearing	1
24	9700000316	Crankshaft with rotor	1
25	9100020050	Counter weight	1
26	9100030090	Plastic schroud	1
27	9100010170	Oil dipstick	1
28	7650020000	Carter cover	1
29	7012160000	Screw	1
30	7012100000	Screw	3
31	9100010100	Gasket	1
32	9100010430	Oil seal	1
33	9100020010	Crankcase	1
34	7310080000	Capacitor 25 $\mu$ F V450	1
34	7310320000	Capacitor	1
35	9100020060	Stator	1
36	7060010000	Bearing	1
37	9100010180	Base	1
39	7012290000	Screw	4
40	9100010060	Stud bolt	2
41	9100010200	Fan	1
42	7013060000	Screw	1
43	9100010050	Stud bolt	2

